



TENTS  
**WECHSEL** 



# Quality and Features

For more than 10 years, we have been specializing in the development and production of high quality lightweight tents at morate prices. Our designs have developed with the experiences that our customers and we have made with morn lightweight tents.

We believe that a tent should not only fulfill the demand for comfort, but also provide enough safety reserves to offer protection from wind and weather in extreme conditions. Thus, we use only well-proven and high quality materials - from the webbing to the buckles to the poles to the fabrics. Experienced technicians and specially trained sewers contribute in providing you with the best quality in our tents.

We believe that it makes more sense to create high quality tents than "cheap" ones, not only from the actual product advantages, but also from an ecological standpoint, as well. Both kinds of tents require the same amount of energy to produce them, but high-quality tents have much longer durability and thus provide for a better ecological balance.

**Water Column and Tensile Strength**

## **Water Column and Tensile Strength**

The data provided on the water column and tensile strength are based on our laboratory tests, which take into consideration the natural aging and standard fluctuations due to the coatings, for instance, and represent realistic guaranteed minimums. The actual water column and tensile strength at delivery are thus usually higher.

## **seasons**

The definition of „season of use“ is a subjective attempt to rank the tents according to stability and winter-use requirements, which vary from one producer to another. Here are our classifications: Three seasons: Tents have an average to high storm stability, weatherproof vestibules, mostly coverable mosquito netting. Snow load could have an impact on these tents i.e. Air flow.

Four seasons: Tents are weather proof, have a high storm stability, coverable mosquito netting, and snow loads are no problem

The seasons classification is listed in the tents overview. The family tents do not have a season ranking because of limitations caused by very big tent sizes.

## **Warranty**

All tents are covered by a minimum warranty of three years for the original buyer beginning at the date of purchase. Regardless of the age of your tent, in the case of a complaint or a repair, we are always eager to serve you with prompt and generous service. It is important to us that every customer is happy with their tent.

## **Materials and Quality**

The materials we utilize are regularly controlled and further developed through laboratory and practical tests. Our laboratory tests are conducted according to the most morn ISO standards and our practical testing experience. The practical testing ranges from expeditions to Greenland to New Zealand, as well as to nearby weekend kayak trips.

The tests include waterproofing, tensile strength, and abrasion resistance, as well as aging and durability after intensive UV exposure. Our materials decisions reflect a balance of weight and stability, long-term durability, and price. Optical controls assure that the fabrics applied are flawless.



In the following, the different materials for the various series are listed. Through the different materials we are able to better fit the exact demands of our customers, minimizing either the cost or weight. Some models are logically not available in every version. In comparing the materials, it is important to note that the water column is not necessarily the most important criterion. Wechsel places much value in providing the greatest resistance to aging in order to assure a great longevity of the tents.

## Travel Line

Fly sheet: Polyester PU, 5.000 mm water column, tearing strength 2 kg

Inner tent: Nylon Tafetta WR, breathable

Floor: Nylon PU, 75D, 7.000 mm water column

available colors: „sand“ and „green“

Poles: Aluminium 7001 T6, Bolt tip

Pegs: Aluminium, U-Shape

Our Travel Line is the lowest-priced series. The quality of workmanship and the functional details are equivalent to those of the Zero-G Line, but the materials utilized weigh more. The demands of the weekend camper to the ambitious trekker can be satisfied, with some money leftover to use on the dream trip. The materials in the Travel Line are in accordance to the US Standard CPAI 84 for flammability.

## Zero-G Line

Fly sheet: Rip Stop Nylon, twice silicone coated, 2.000 mm water column, tearing strength 11 kg

Inner tent: Rip Stop Nylon WR, breathable

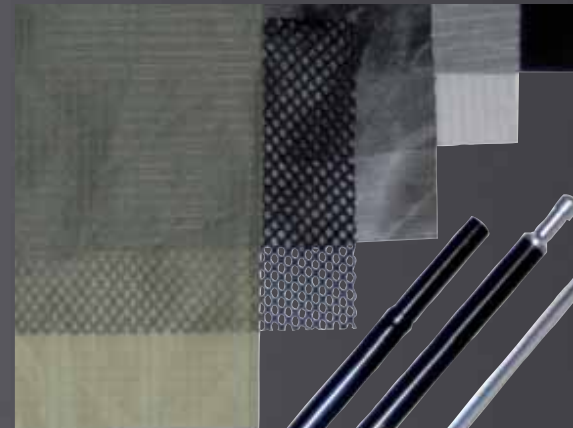
Floor: Nylon PU, 75D, 7.000 mm water column

available colors: „sand“

Poles: Scandium Air 8,6 mm, Bolt Tip

Pegs: 7001 Aluminium, U-Shape

The Zero-G Line offers extremely lightweight constructions without neglecting the functional details, including ventilation on the inner tent and fly, adjustable guy lines, and inner tent pockets. The new Hercules Air poles are utilized for both the Zero G and Unlimited Lines. The Scandium 7X5X alloy is 20% stronger than the standard aluminium tent poles. This means more stability and less weight. In addition, a new connecting technique reduces the danger of breakage at the vulnerable connection points on the poles.



## Unlimited Line

Fly sheet: Rip Stop Nylon, twice silicone coated, 2.000mm water column, tearing strength 11 kg  
 Inner tent: Rip Stop Nylon WR, breathable  
 Floor: Nylon PU, 100D, 10.000 mm water column  
 available colors: „sand“  
 Poles: Scandium Air 9,5 mm, Bolt Tip  
 Pegs Assortment of three different types of hardened Aluminium, universal shape

This line is based on the approved Zero G line and is designed for extreme heavy demands such as high altitude and expeditionary use.

### Special Highlights:

- Flysheet fabric with 11 kg tearing strength
- Floor fabric of extra durable 100 D Taffeta Nylon
- APEX ventilation are also to operate from inside
- 25 mm SR Buckles and Zipper size 8 for easy handling with gloves
- reflective guy lines, Scandium poles with a diameter of 9,5 mm
- various inner tent pockets and gear loft, Compression pack bag
- Velcro connectors from flysheet to inner tent (geodesic styles)
- assortment of strong aluminium pegs
- maintenance pole segment, Snow flaps



## Lodges Line TEC

Top fly fabric: cotton blend with PU coating, 1200 mm  
 Side fly fabric: cotton, fine quality  
 Inner tent: cotton, breathable  
 Floor: Nylon, PU-coated, 100D, 7000 mm  
 available colors: „sand“  
 Poles: Aluminium 6061 T6 with lock tip, 16 mm diameter  
 Stakes: ABS-plastic, T- shape

The tents in the Lodges Line used to only be available in either pure cotton or a cotton blend with PU coating. You were forced to choose between cotton, which provided the best climate but a chance of permeation into the tent in heavy rain, or the waterproofness of a cotton blend but without breathability. Those times are gone! Now the qualities of both materials are combined. The pure cotton with its water-repellent and breathability is utilized on the side walls, while the waterproof cotton blend is used on the roof. This provides the family tents with a good climate in the tropical heat, while also protecting one in heavy rain. This combination greatly expands the range of use of our Lodge Line, so that you can have a comfy and safe home wherever you set up your Safari Lodge.



# Overview of Tents



**White Nites:** 2 persons • 4 seasons • page 17



**Outpost:** 2 persons • 3-4 seasons • page 21



**Intrepid 2:** 2 persons • 4 seasons • page 18



**Intrepid 3:** 3 persons • 4 seasons • page 19



**Intrepid 4:** 4 persons • 3 seasons • page 20



**Pathfinder:** 1 person • 3-4 seasons • page 11



**Challenger RP:** 2 persons • 3 seasons • page 12



**Summit:** 4 persons • 4 seasons • page 13

# Overview of Tents



Zambesi: 4 persons • 3 seasons • page 23



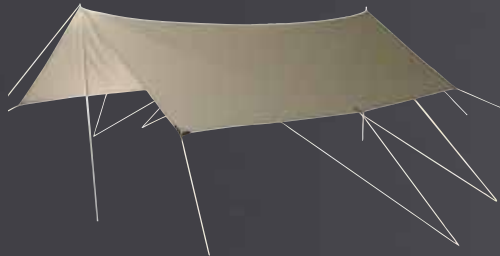
Massai Mara: 4 or 5 persons • 3 seasons • page 24



Nevada 4 and 6: 4 or 6 persons • 3 seasons • page 26



Kilimandjaro: 4 or 8 persons • 3 seasons • page 25



Tarp: page 28



Wing: page 28



Okavango Wing page : Seite 27

## Searching for Traces in the Ice Greenland Expedition 2006

An excerpt from the expedition report by Prof. Dr. Wilfried Korth, TFH Berlin

The climate change is a constant topic in the media. From a global viewpoint, 2007 is expected to be one of the warmest years ever. The North Pole can now almost be reached without using icebreakers.

The ozone hole above the Antarctic has grown larger than ever before.

The largest glaciers on earth react very responsively to global climate changes. The changes in Greenland's ice mass are also important indications for climate processes all across the globe. It is thus incredibly fascinating to search for traces of global warming in Greenland.

In 2002, led by the mountaineer and geodesist Wieland Adler of Dresden, a team of four measured (to the centimeter) the height of the ice along a 700 km-long traverse across the inland ice of Greenland. This was a historical route that the Swiss meteorologist Alfred de Quervain first traversed in 1912.

In order to see the changes in the glaciers, one has to make repeated measurements. Thus, the first repeat measurements began last summer.

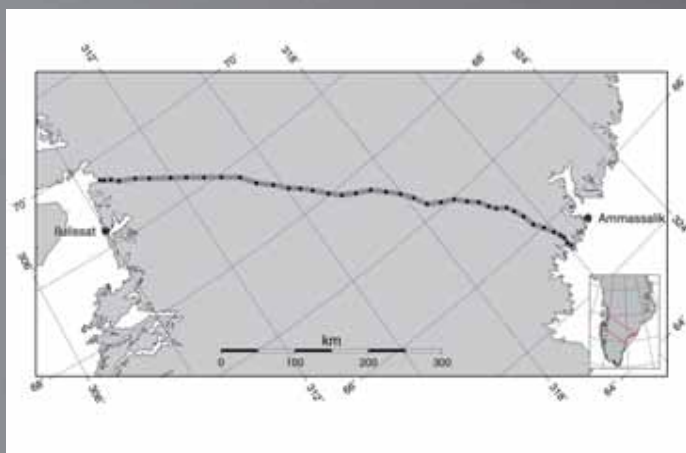
We had to achieve an average of 20 km per day, on skis and



pulling our sleds behind us. The exact same route was taken with an identical time plan as in 2002. That might sound simple, but it is not!

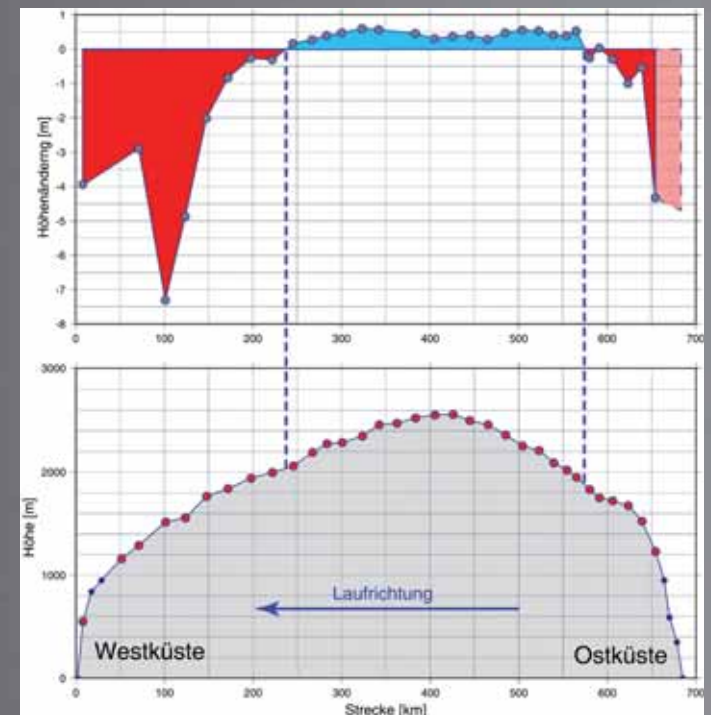
In 2002, the group covered the greatest distances possible. This year, the same distances had to be achieved each day, regardless of the weather and snow conditions. We only had a leeway of two to three days. The physical challenges were enormous, which resulted in a great psychological burden on the expedition group. We usually marched for eight hours a day. It was only somewhat less exhausting on the few days we sailed. We are proud to say that the goals of the expedition were more than fulfilled.

We were able to determine 33 of the 35 measurement points from 2002. In addition to the expedition program, glacier speed





measurements were recorded at the Ilulissat Icefjord as part of a series of measurements by the TU Dresden. This glacier is one of the fastest moving ones on earth. It has doubled its speed in the last five years to over 40 meters per day (!), which represents a dramatic change in its mass. A large portion of our route led through this area. There is an increase in height of the ice mass above 2,000 meters of about 10 cm per year. That does not contradict the predictions, as the climate warming results in an increase in evaporation, which then leads to an increase in precipitation, which comes as snow at Greenland's high altitudes. Below 2000 meters, the surface level is decreasing by an average of 1.5 meters per year! The ice mass of Greenland is thus decreasing dramatically.





# Details Geodesics

## Pole sleeves

In order to optimize the run off of condense water between the inner tent and fly sheet, the sleeves for the poles are made from net material. In addition, they are strengthened with floor material to reduce damage when pushing the poles through

## Taped seams

All seams of the fly sheet, as well as the floor of the inner tent are taped.

## Catenary Cut

The catenary cut guarantees a uniform spread of stress across the fabric panels and minimizes nerving fly sheet flutter when windy. Additionally, this type of cut counteracts large portions of fabric stretch.

## Polyester threads covered with cotton

This special high quality thread expands when wet and thus optimally closes the needle holes.

## Water repellent zippers

The material of the zippers is water repellent to provide optimal protection.

## Lap fell seams

Most seams are lap fell seams, which means that the fabrics are joined and folded so that four layers of fabric are sewn together with two rows of stitching.

## off ground seam

Due to a special cut of the floor material and the lower inner tent wall, the side seams do not lie on the floor and thus provide optimal protection from dampness.

## Ventilation

The APEX ventilation flaps are located where the tent cuts the wind.[pse1] The wind thus produces high pressure on one side and low pressure on the other. That increases the air ventilation between the inner tent and fly. In addition, they are part of the constructional seams, so they do not have to be pulled open, and they lie flat and do not flap in the wind when they are closed.

## up side down buckles

These make for a simple connection between the inner tent and fly sheet. Without any extra tightening with pegs, with well placed buckles you can pull the fly sheet tight with one hand.

## Guy lines

For attaching the guy lines, webbing loops are sewn on the seam to reduce the tension on the seams and fabric.

## Continuous sleeves for the poles

The continuous sleeves for the poles, combined with the pole clips, allow for an easy and fast setup.

## Extended sleeping area

Several of our tents have an extended sleeping area. This is especially important for people over 185 cm tall.

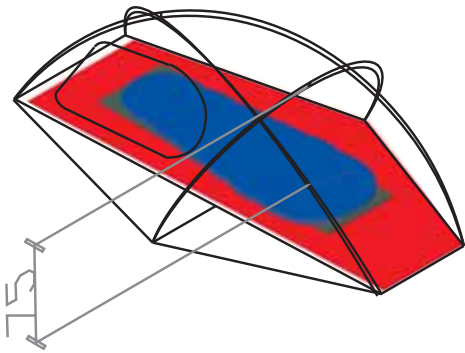
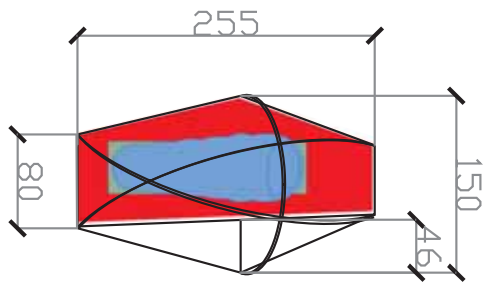
## Colour-coded buckle

You can easily and quickly find the correct position for connecting the inner tent and fly sheet with the colour-coded buckles.

## Colour coded poles and sleeves

The colour-coded poles and sleeves save you from having to locate where the poles have to be inserted by trial and error.





1 person • 3-4 seasons

1 door, 1 vestibule

packed size	gross weight	rec. retail
Travel Line 50 x 15cm	2.280 g	175,90 €
Zero G Line 42 x 15 cm	1.950 g	275,90 €

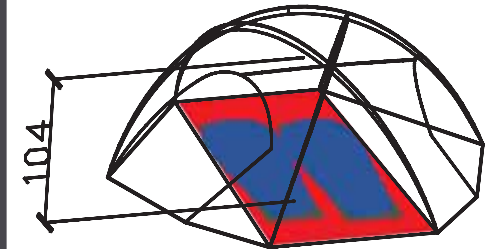
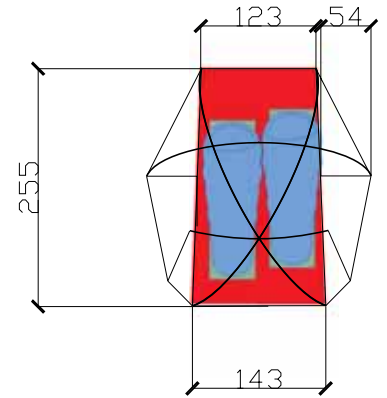


There is hardly a more stable and light tent. This is an ideal one-person tent for nearly all conditions. Through its slim floor space, it fits mostly everywhere. A three-pole design, whereby the third pole forms the vestibule. The vestibule does not need to be staked out and offers enough

space for one large backpack. Three APEX vents provide optimal ventilation. The upper parts of the inner tent walls are mostly made out of No-See-Um netting, the inner tent roof is made out of a breathable Rip stop Nylon.



# Challenger RP



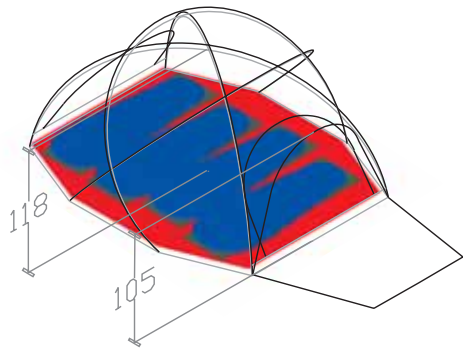
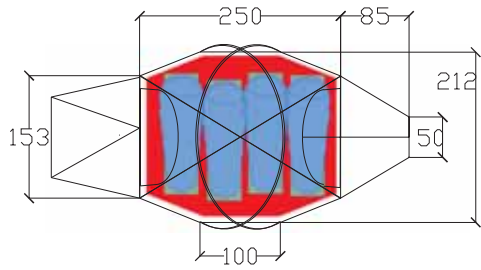
**2 persons • 3 seasons**  
**2 doors, 2 vestibules**

	packed size	gross weight	rec. retail
Travel Line	55 x 17 cm	3.450 g	235,90 €
Zero G Line	45 x 18 cm	2.950 g	409,90 €

This special geodesic construction using three tent poles implements a couple of advantages at once: High stability with a roomy inner tent and a good space to weight ratio.

Through the two large D-shaped entrances and good inside floor length, it is also well suitable for very large people. The size of the entrances

also maximize the air flow and eases the handling of equipment. Because of the so-called Ridge Pole, an extra short vestibule pole, the flysheet is extended on both sides of the tent. This increases the rain protection when doors are opened, and it extends the space of the vestibule as well.



**4 persons • 4 seasons**  
**2 doors, 2 vestibules**

packed size	gross weight	rec. retail
Travel Line		
55 x 19 cm	5.450 g	369,90 €
Unlimited Line		
50 x 21 cm	5.500 g	719,90 €



The Summit is probably the most efficient geodesic design for all Seasons especially for Winter or high Altitude Mountaineering. It offers a very large Space for up to four people and one rather large hooped vestibule. The second vestibule is smaller and located on the rear entrance. The

bigger vestibule allows more space for your gear and it eases the handling of a camping stove (obey safety measurements). There are snow flaps attached on both vestibules to minimize intruding snow into the tent. During fine weather the snow flaps could be rolled back in order to improve air flow.



photo: Oliver Guenay



Coverfoto and photo: Karl Lueger, desert expeditions and travel guide author • [www.nomadeaufzeit.at](http://www.nomadeaufzeit.at)



# Details Hooped

## Taped seams

All seams of the fly sheet, as well as the floor of the inner tent are taped.

## Catenary Cut

The catenary cut guarantees a uniform spread of stress across the fabric panels and minimizes nerving fly sheet flutter when windy. Additionally, this type of cut counteracts large portions of fabric stretch.

## Polyester threads covered with cotton

This special high quality thread expands when wet and thus optimally closes the needle holes.

## Guy lines

For attaching the guy lines, webbing loops are sewn on the seam to reduce the tension on the seams and fabric.

## Ventilation

The APEX ventilation flaps are located where the tent cuts the wind. The wind thus produces high pressure on one side and low pressure on the other. That increases the air ventilation between the inner tent and fly. In addition, they are part of the constructional seams, so they do not have to be pulled open, and they lie flat and do not flap in the wind when they are closed.

## Lap fell seams

Most seams are lap fell seams, which means that the fabrics are joined and folded so that four layers of fabric are sewn together with two rows of stitching.

## Pole sleeves

Solid inside flat sleeves make set up and dismantling fast and simple. The ladder lock clip makes it easy to adjust the tension. The Outpost is the only tent equipped with outside sleeves.

## off ground seam

Due to a special cut of the floor material and the lower inner tent wall, the side seams do not lie on the floor and thus provide optimal protection from dampness.

## Water repellent zippers

The material of the zippers is water repellent to provide optimal protection.

## Colour-coded buckle

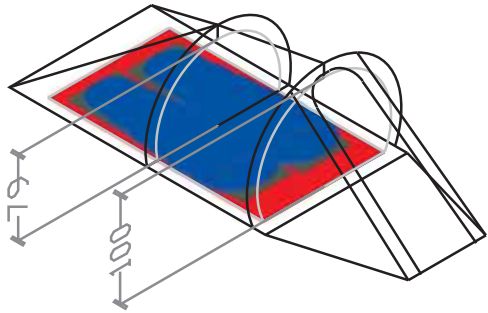
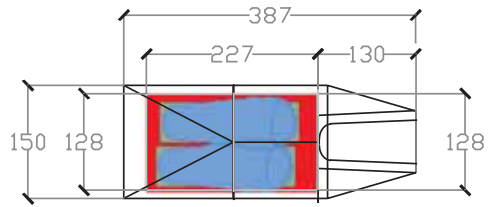
You can easily and quickly find the correct position for connecting the inner tent and fly sheet with the colour-coded buckles.

## Colour coded poles and sleeves

The colour-coded poles and sleeves save you from having to locate where the poles have to be inserted by trial and error.

## Extended sleeping area

Several of our tents have an extended sleeping area. This is especially important for people over 185 cm tall.



## 2 persons • 4 seasons

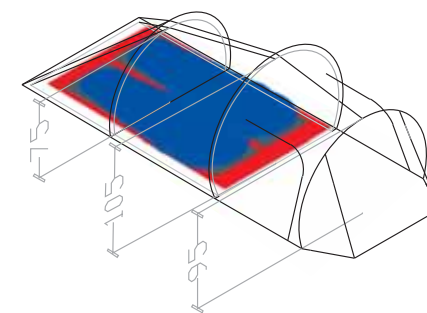
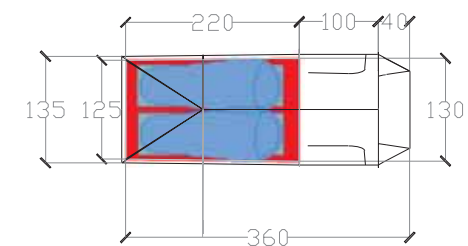
packed size	gross weight	rec. retail
Travel Line 50 x 15 cm	2.950 g	185,90 €
Zero G Line 42 x 14 cm	2.400 g	329,00 €



The inner tents for the White Nites and the Intrepid 2 are identical. The small vestibule on the White Nites means a smaller footprint for storage and less weight. The White Nites tent is a very light four-season tent for two people. It is a good choice for those desiring minimal weight with a nonetheless

large inner tent and are willing to accept the trade-off of less vestibule space for less weight. The vestibule has space for two backpacks. Three APEX ventilation flaps provide for good aeration. The flat inner pole channels are new this year and provide easier handling in set-up.

# Intrepid 2

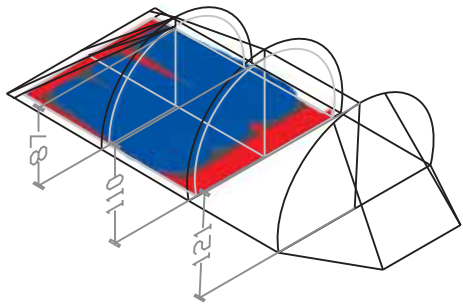
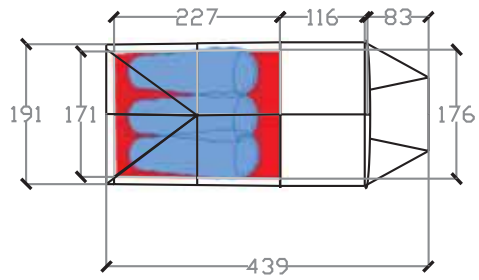


The Intrepid 2 is a four-season tent for two people with large rain-protected entrances and one vestibule. Optimal aeration is provided by ventilation in the inner tent and by three APEX ventilation flaps on the fly. The side entrances to the vestibule, which are covered with mosquito

netting, make accessing gear simple. A new asset this year is that the vestibule can now be also opened from the front. The tent has a good aerodynamic form and is thus very stable in storms. New flat channels for the poles simplify set-up. Without having to give up comfort, the Intrepid 2 is still a lightweight tent.

2 persons • 4 seasons		
packed size	gross weight	rec. retail
<b>Travel Line</b>		
50 x 20 cm	3.850 g	235,90 €
<b>Zero G Line</b>		
42 x 19 cm	3.200 g	399,90 €

# Intrepid 3



## 3 persons • 4 seasons

packed size	gross weight	rec. retail
-------------	--------------	-------------

Travel Line		
-------------	--	--

50 x 25 cm	4.850 g	299,90 €
------------	---------	----------

Zero G Line		
-------------	--	--

45 x 18 cm	3.950 g	515,90 €
------------	---------	----------

Lodges Line		
-------------	--	--

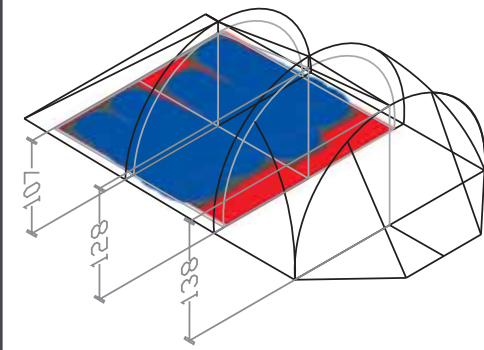
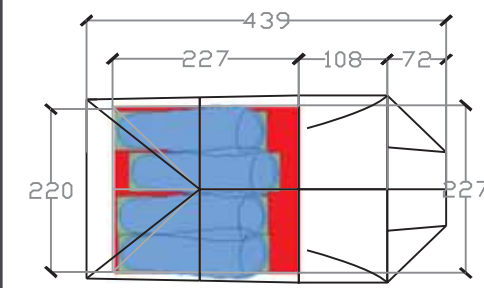
68 x 26 cm	5.800 g	429,90 €
------------	---------	----------



The larger vestibule area on the larger option of the Intrepid 2 offers more space for three persons. The steep vestibule in front of the entrance allows one to sit quite comfortably in the vestibule in relatively small floor space. The inner tent offers one large double side doors with mosquito netting, and one rear vent. The vestibule offers abundant space.

The two vestibule side entrances and one front entrance provide easy handling for gear. The front entrance allows you to be able to keep both side entrances closed in inclement weather. This tent possesses a favourable aerodynamic design, which enhances stability during strong winds.

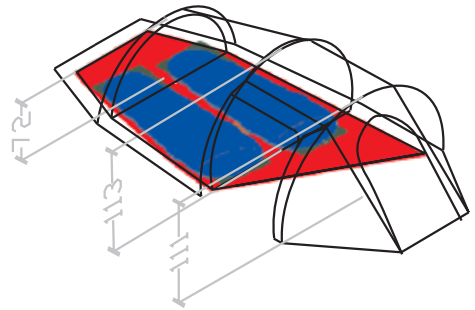
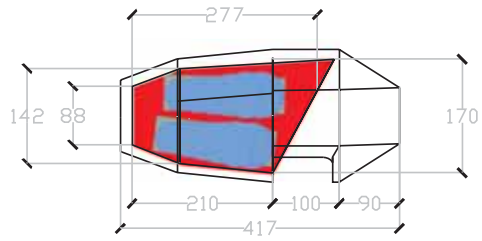
# Intrepid 4



The four-person variation is optimal for families and small groups that are underway by bike or on foot. With a low weight of only 5.7 kg for this size tent, this Travel Line version is quite manageable (1.43 kg/person). It is equipped the same as the

smaller version. Three doors on the vestibule, the Apex vents, and a comfortable height of 130 cm makes it ideal for longer periods at one location. The tent has a good aerodynamic form and is very stable for this size in stormy weather.

4 persons • 3 seasons		
packed size	gross weight	rec. retail
Travel Line		
50 x 30 cm	5.700 g	339,90 €
Lodges Line		
68 x 29 cm	7.200 g	455,90 €



**2 persons • 3-4 seasons**

packed size	gross weight	rec. retail
Travel Line		
45 x 15 cm	4.050 g	289,90 €
Zero G Line		
45 x 15 cm	3.300 g	469,90 €



...is unique in style and is still our most successful tent! One of our first tents, formerly called the "TZ 3," has received more than just a facelift. Now in its third version, it has grown in length and height to greater increase its level of comfort. The roof ventilation on the vestibule adds to the comfort, reaching from the front to middle pole arches. In order to achieve

this, the tent has been given outer pole channels. The inner tent, which is hung in place with a new combination of hooks and rubber loops, offers space for two people, and has rear ventilation and numerous pockets. To further optimize the ventilation, the fly does not reach all the way down to the floor on the sides.

# Family Tents

## Lodges Lines TEC

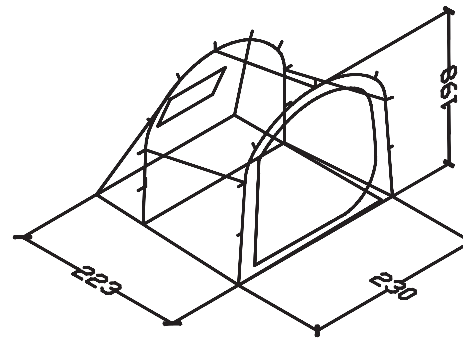
We connect the quality of our lightweight and expedition tents with the demands of comfort and size of a camping/family tent.

As with our lightweight tents, we offer the same workmanship and well-constructed details. All tents in this series offer the following features:

- Simple to erect, high durability and a high product lifetime at a comparable weight and pack size
- High quality aluminium tent poles with colour coding for easy setup.
- Solid, application optimized fabrics.
- Two entrances, four entrances with disconnected cabins, which could be opened and gylined.
- A comfortable inner tent height of at least 205 cm
- separate inner tent cabin(s).
- A rain protected living area, suitable for the use of camping chairs and a small camping table.
- Practical and child-friendly zipper entrances on the inner tent cabins.
- Detachable inner tent cabin(s) in order to make a very large vestibule space. Depending on the model.
- Possible use of Wechsel accessories, like the hanging organizer, groundsheets or extra rain cover windows.

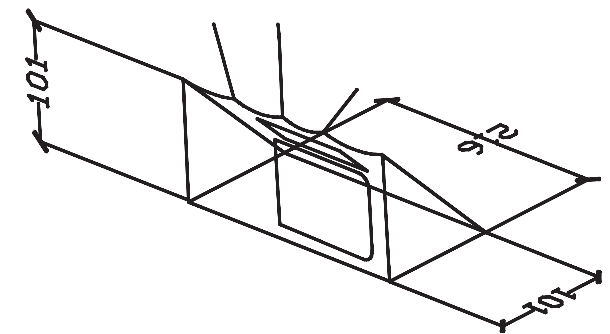
Many of these tents are used in warm and sunny conditions. For this reason, we offer this tent only in the Lodges Line. This line has PU-coated cotton-blend on the upper parts of the flies (Technical Cotton) and high quality cotton fabrics on the side segments. This combination of materials offers greater climate comfort in sunny and warm weather and has better long-term durability in intensive sun exposure.

# Additional Cabins



### Cabin large

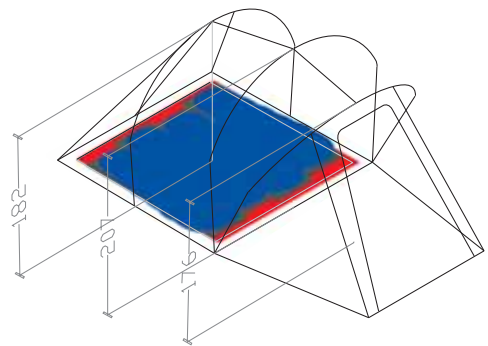
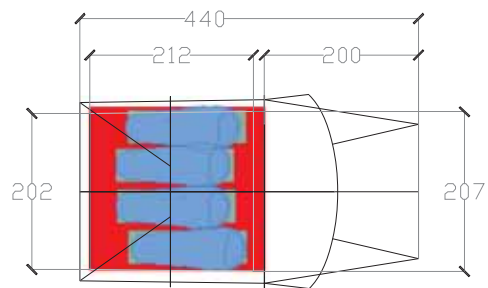
packed size	gross weight	rec. retail
45 x 20 cm	2.4000 g	115,90 €



### Cabin small

packed size	gross weight	rec. retail
45 x 15 cm	1.300 g	65,90 €

The Massai Mara comes optionally with a small cabin for up to two persons. A large cabin for up to 4 persons is available for the Kilimandjaro, as well. One of these cabins can also be hung across from the main cabin in the front area.



pictured with BT groundsheet (not included - sold separately)

**4 persons • 3 seasons**

packed size	gross weight	rec. retail
Lodges Line		
77 x 37 cm	12,0 kg	639,90 €

Our Zambesi satisfies two demands: on the one hand, it has a comfortable entrance height and a roomy, rain-protected vestibule area, and on the other it cuts back in the rear sleeping area, which makes it not too big and heavy and allows a single person to set it up quickly.

The sleeping cabin can fit up to four persons. Additional windows in the vestibules area bring in more light and views. The third vestibule arch is

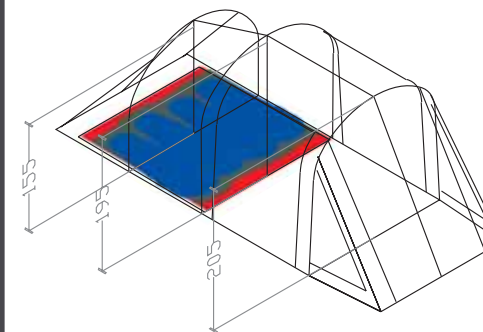
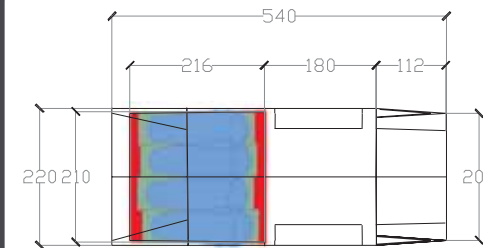
angled to increase the stability and to better protect the entrance from wind and weather, as well as to simplify the set-up. Like all Wechsel family tents, the tent can be set up together with the fly sheet.

Due to the D-formed doors, children can also easily maneuver access to and from the inner tent cabin, which has a fine covered mosquito net in the entrance.

# Massai Mara



pictured with BT groundsheet (not included - sold separately)



The fly gets set up first, and then the inner tent is hung up with a ring and rod connection. That allows one to also set up the entire tent in one step. The main cabin offers enough space for four people. The tent can also be opened from the front. This offers additional ventilation and

additional entrances if the inner tent is not hung up. The small cabin, which can be purchased separately, offers enough sleeping space for one to two adults and can be hung in the front area of the tent opposing the main cabin.

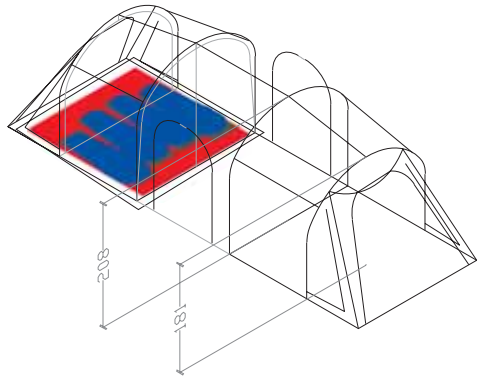
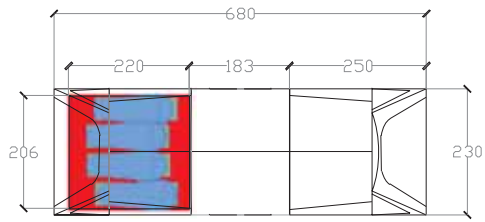
**4 or 5 persons • 3 seasons**

packed size	gross weight	rec. retail
-------------	--------------	-------------

Lodges Line		
-------------	--	--

81 x 40 cm	15,2 kg	
------------	---------	--

		739,90 €
--	--	----------



### 4 or 8 persons • 3 seasons

packed size	gross weight	rec. retail
Lodges Line		
81 x 40 cm	17,1 kg	779,90 €

The entire tent can be set up in one step as the cabin is attached to the fly with a ring and rod connection.

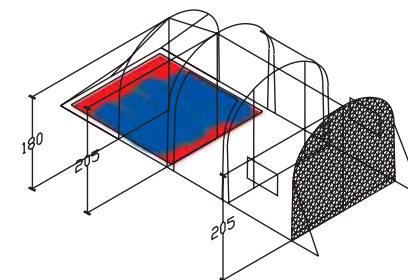
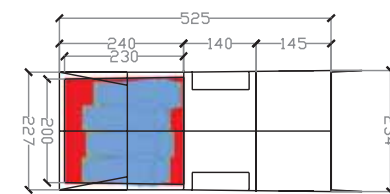
The inner tent offers enough space for four adults. The tent comes with upright poles for one of the two side entrances.

The temperature can be regulated easily with the diverse ventilation. A small cabin, which can be purchased separately, offers the same space as the main cabin and can be hung in the front area of the tent opposing the main cabin.

# Nevada 4 / Nevada 6



pictured with BT groundsheet (not included - sold separately)



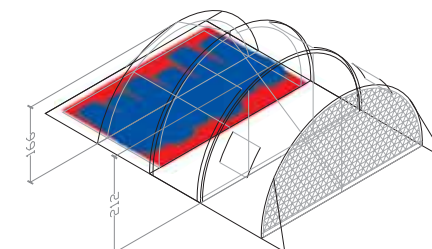
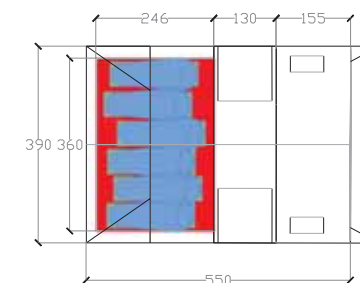
## Nevada 4

4 persons • 3 seasons

packed size	gross weight	rec. retail
-------------	--------------	-------------

Lodges Line

81 x 40 cm	18,2 kg	779,90 €
------------	---------	----------



## Nevada 6

6 persons • 3 seasons

packed size	gross weight	rec. retail
-------------	--------------	-------------

Lodges Line

86 x 43 cm	20,9 kg	859,90 €
------------	---------	----------

One unique thing about this tent is the division of extra sleeping and living quarters.

The larger front lounge area with an amazing standing height of 215 cm also includes a separate division, which offers additional privacy. Several large doors and windows with mosquito netting offer diverse

options for ventilation.

The large sleeping cabin can be divided in half and offers plenty of space for four or six people, depending upon the model. The tent comes with upright poles for one of the side entrances. The tent offers comfortable living in inclement weather, as well.

## BT Groundsheet

The groundsheets that are designed for each model in the Lodges Line now are made with approx. 15 cm edges. The BT groundsheets are easily attached to the inside of the fly with quick-release buckles. The new BT groundsheets now are made from high-quality and extra strong polyester with a water column of 7000 mm. The BT groundsheets cover the entire footprint of the tent.

Zambesi:	85,90 €
Massai Mara:	105,90 €
Kilimandjaro:	125,90 €
Nevada 4:	125,90 €
Nevada 6:	155,90 €



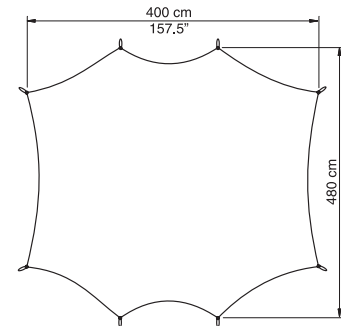
## Groundsheet

The groundsheet is made to cover also the vestibules of each tent model.

Intrepid 2:	35,90 €
Intrepid 3:	49,90 €
Intrepid 4:	59,90 €
Outpost:	39,90 €
Summit:	49,90 €



## Okavango Wing



### 2 poles included

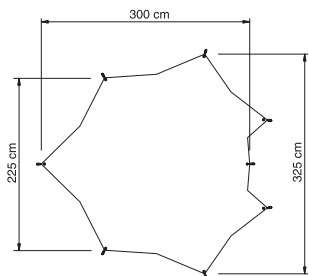
packed size	gross weight	rec. retail
Lodges Line 61 x 20 cm	3.900 g	205,90 €

The Okavango Wing can be combined well with the family tents to provide more weather protection around the entrance. In addition, the wing can be used on its own for picnics or in the yard. This model comes with two corded upright poles. Additional poles are available with the accessories.

## Wing



(one shockcorded Aluminum Pole is included)



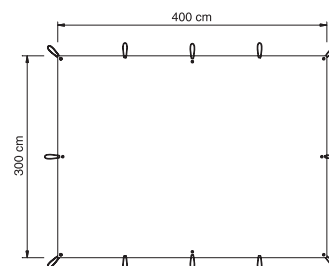
### Wing (includes one upright pole)

packed size	gross weight	rec. retail
Travel Line		
33 x 13 cm	1.100 g	62,00 €
Zero G Line		
33 x 13 cm	790 g	89,90 €
Lodges Line		
57 x 23 cm	1.350 g	85,90 €

## Tarp



(Poles are pictured as an example only- no Poles included)



### Tarp 3 x 4 m

packed size	gross weight	rec. retail
Travel Line		
29 x 10 cm	1.200 g	62,00 €
Zero G Line		
29 x 10 cm	860 g	99,90 €
Lodges Line		
38 x 26 cm	1.900 g	125,90 €

Wings can be combined well with most of the tents to provide better protection at the entrance areas. The wing works best with dome tents, but it can also be utilized easily with most of the other tents or on its own. Wings provide a universal tent roof with optimal tension. We provide a corded upright pole with this model. Additional poles are available with the accessories.

12 sqm rectangular flysheet for multiple applications. Compared to standard sheets made from plastic foil, our tarp is much more resistant against tearing. At the same time, weight and pack size is much smaller. Numerous additional ways of hanging it make it optimal for an additional roof, a sun inner tent, or substitute tent. It could be fastened on trees or piles or with additional tent poles. Upright poles are not included. We offer suitable poles as an accessory.

## Accessories



### ClearView-Window

To cover the mesh windows on the main doors, easy to connect with velcro batches.  
Material: cold resistant PU.  
Set 2x ClearView-Window: 29,95 €



### Organizer

Various pocket sizes, torch loop. To connect with the 'Ring and Rod' system of the tent.  
1 Organizer: 15,90 €



### Footprint

A must-have for optimal ground protection. The footprints are designed explicitly for the layout of each inner tent, with congruent webbing and eyelets to attach to the ends of the poles. A footprint also offers a clean area for packing up the tent or other equipment. We generally recommend using additional floor covering for all tents. Available in all styles.

Challenger RP: 25,90 €  
Intrepid 2: 25,90 €  
White Nites: 25,90 €  
Intrepid 3: 25,90 €  
Intrepid 4: 29,90 €  
Outpost: 25,90 €  
Pathfinder: 25,90 €  
Summit: 29,90 €



### Upright Poles for Wings and Tarps

1 For Wings and Tarps. Shock corded and adjustable between 179 cm and 213 cm, Diameter 19 mm. Material: Aluminium.  
Piece: 19,90 €  
2 Shockcorded, 155 cm, 13 mm diameter, 7001 Aluminium  
Piece: 14,90 €



## Tent Pegs



T-Peg, 28 mm x 30 cm, 71 g, suitable for snow, sand etc.  
6er Set: 33,90 €



T-Peg, 28 mm x 25 cm, 56 g, suitable for snow, sand etc.  
6er Set: 29,90 €



Pipe Peg mit Alukopf, 20 cm, 14 g, suitable for hard ground, etc.  
6er Set: 14,50 €



Pipe peg mit PVC-Kopf, 20 cm, 16 g, suitable for hard ground, etc.  
6er Set: 12,50 €



Round Head Pin Peg, 20,5 cm, 19 g, suitable for hard ground, etc.  
6er Set: 7,60 €



Octa Angle solid, 19 cm, 14 g, suitable for hard ground, etc.  
6er Set: 7,20 €



Solid Pin Peg, 19 cm, 16,5 g, suitable for hard ground, etc.  
6er Set: 7,00 €



V-peg Line Lock, 17,5 cm, 14,5 g, suitable for hard and loose ground  
6er Set: 7,00 €

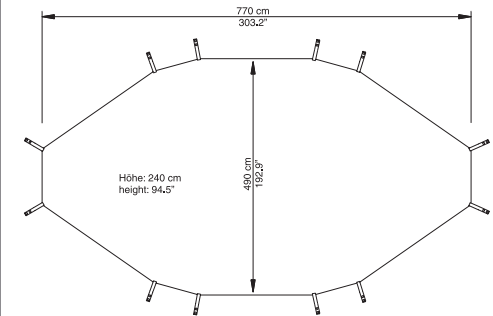


Nanuk Peg, 15,7 cm, 10 g, suitable for hard and loose ground  
6er Set: 6,80 €



Rock Peg, 16 cm, 11 g, suitable for rocky ground  
6er Set: 5,80 €

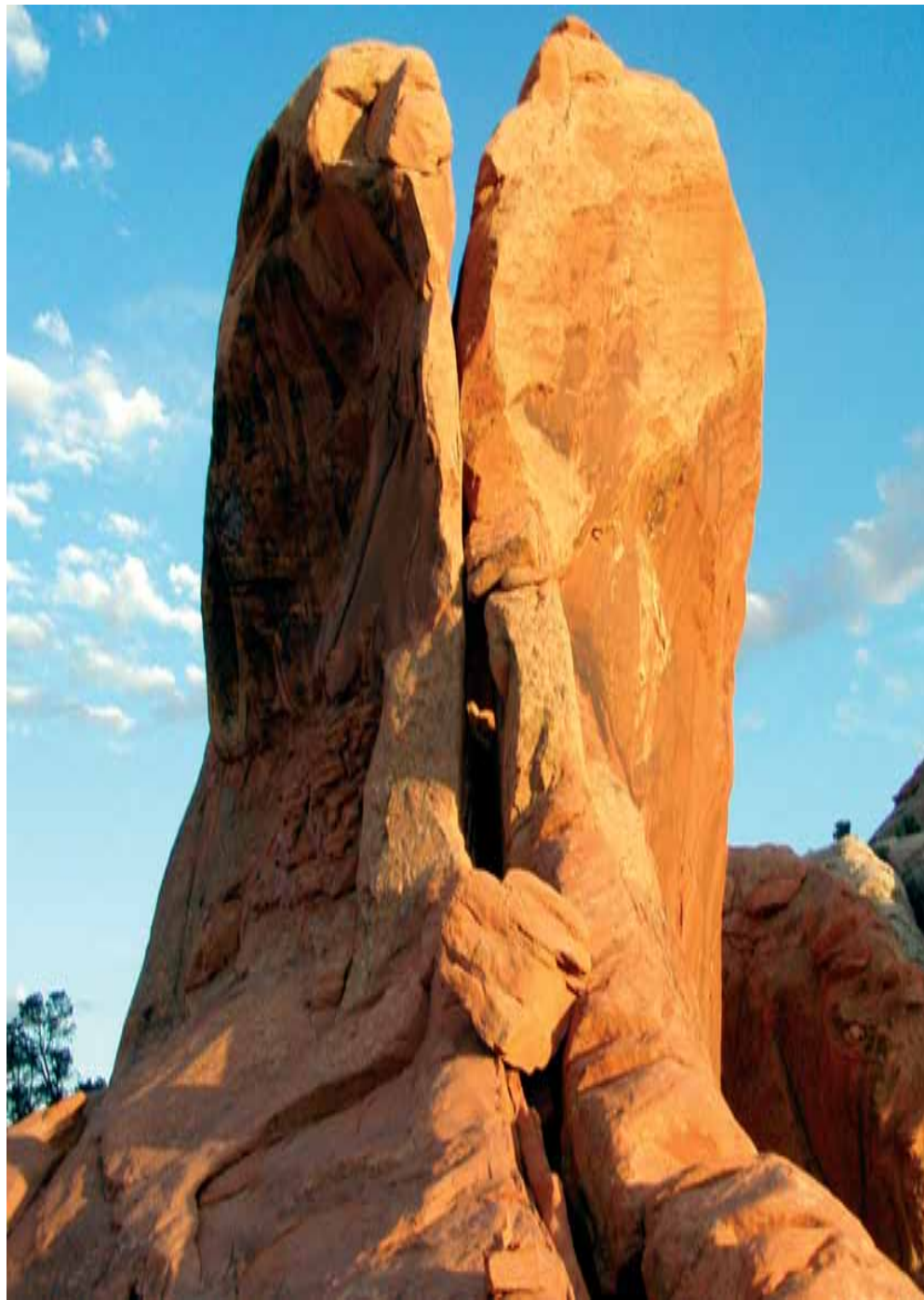
**All tent pegs are made of hardened Aluminium.**



The Atrium is one of the largest "light-weight" tents on the market, and it can be used either as a group tent or as a base tent at high elevations. In contrast to most group tents, the Atrium can be set up very quickly and can be carried in two bags by one or two persons. Expedition

Base camp tent. Six twin line 16 mm 6061 Aluminium poles with 15 interception, special bathtub floor fabric, multiple silicone coated High Density fly sheet fabric ... The Atrium is available on request only and will be modified to customers needs.

Up to 14 persons  
4 seasons  
high altitude proofed  
Materials on demand  
Price on request



# Packnology



example, transport container not included



Packnology main board



Loadrunner



Loadrunner bag



Loadrunner raincover



Loadrunner Daypack

Price per pair

Loadrunner: 99,90 €

Packnology: 59,90 €



Many bike packs limit their packing volume and their stability through their design. The Packnology System is designed for people with different and extreme demands. With the Packnology Transportation System for bike racks you can transport almost anything easily and securely on your bike. The system consists of several components, which can be combined differently for each individual use. The main part of the system is the main board, manufactured out of sturdy polypropylene and is attached to the rack with massive plastic hooks. An adjustable spring hook out of stainless steel guarantees a tight fit. In addition, the spring hook can be locked with a screw to prevent the hook from coming undone even on a bumpy track, as well as providing additional theft-prevention. The packs serve as normal bike bags with quick seal closures, which can be attached with side straps and side-release buckles, and can easily be removed from the main board. Shoulder straps on the back of the packs, which can be covered up, allow one to use the packs as daypacks.



photo: Prof. Wilfried Korth

**Please visit our website for retailers / distributors in your country or ask us for assistance.**

Errors and omissions expected, colors may diverge slightly from printed pictures. Preise are sug. retail. incl. 19 % MwSt. Text and pictures © Wechsel GmbH 2007. The brand Wechsel is a registered trademark. All rights reserved.



**WECHSEL**

Die Berliner Zeltschmiede GmbH

Porschestrasse 25 • 12107 Berlin • Germany

Tel.: +49 (0)30 390 340 10

Fax: +49 (0)30 390 340 12

[www.wechsel-tents.de](http://www.wechsel-tents.de) • [info@wechsel-tents.de](mailto:info@wechsel-tents.de)